

# Panasonic

Iris Recognition Camera System  
BM-ET300 Series



Supports up to 5,000 Users

High Precision

Quick Recognition

Flexible Interface

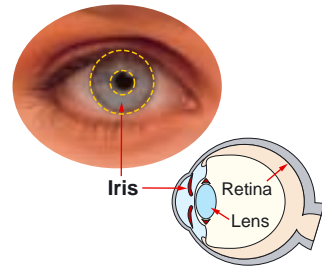


# Simple, speedy iris recognition. Now with voice guide. The new BM-ET300 Series.

Panasonic's full line-up of Iris recognition products now includes the BM-ET300 Series. The BM-ET300 combines high precision, faster identification, and flexible system architecture for state-of-the-art personal identification.

## High security, with false acceptance ratio as 1 in 1.2 million

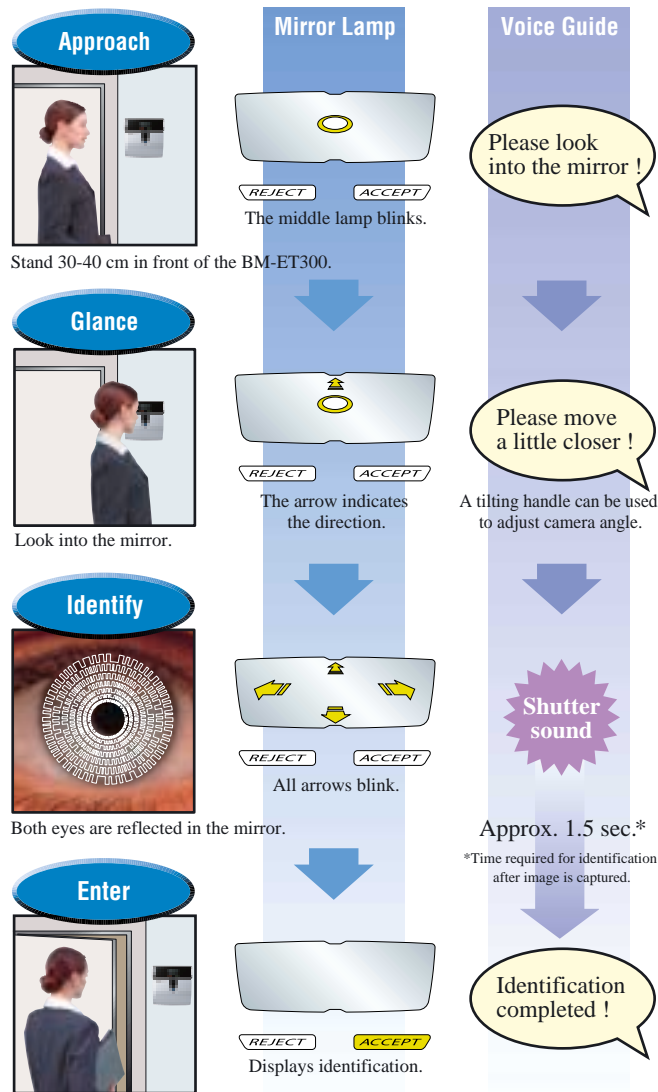
Iris recognition uses individual differences in the complex patterns found in the iris of the human eye to authenticate individual identities. Iris recognition is the most precise of all biometric identification systems. The false acceptance ratio is so low that the probability of falsely identifying one individual as another is virtually zero.



### Iris Characteristics

- An extremely complex pattern that differs even between identical twins.
- Patterns stabilize between six months and two years of age and then remain unchanged for life.
- They are extremely difficult to imitate.

## Mirror Lamp and Voice Guide Make Identification Simple and Speedy



There is normally no need to remove eyeglasses or contact lenses while being identified. (Identification may not be possible with some types of glasses, sunglasses, or contact lenses or in certain environments.)

For iris recognition, two cameras simultaneously capture the images from both eyes.

Identification results are displayed.

### Tilting handle simplifies adjusting camera angle

This tilting handle makes it easy to optimize camera angle when capturing iris images.

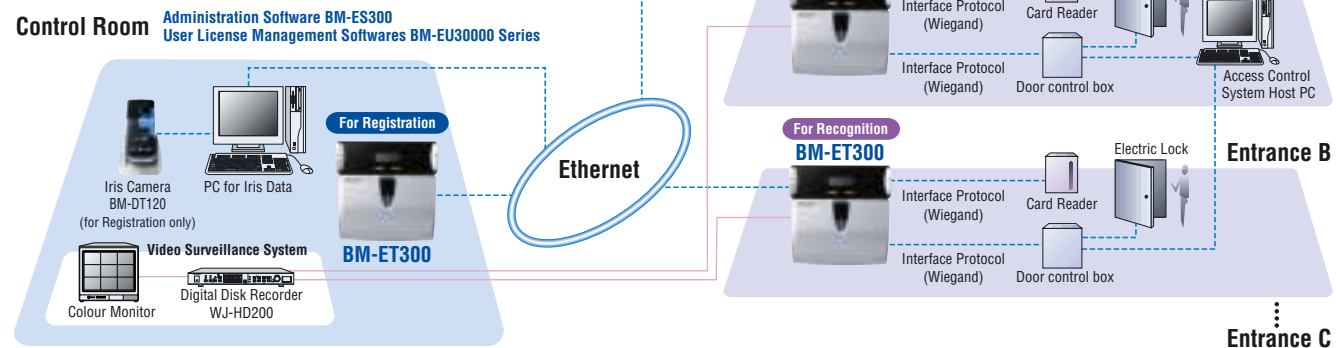


The Power Indicator displays current operating condition.

Integrated colour CCVE camera. Output may be connected to existing video surveillance system.

## Can be connected to existing security system

BM-ET300 Series I/O is compatible with the standard Wiegand interface protocol for access control systems, allowing the iris recognition system to be integrated with existing door control box and card reader systems.



## APPLICATIONS

<b>Offices</b> Data Centre, Material storage, safes, executive offices, secure meeting rooms	<b>Laboratories and factories</b> Drug or dangerous materials storage rooms, night or holiday entry control	<b>Financial institutions</b> Safes, safety deposit box rooms
<b>Lifeline facilities</b> Power generator rooms, dam management offices, gas company control rooms	<b>Traffic control centres</b> Expressway administration centres, railroad dispatcher rooms	<b>Airport and harbor facilities</b> Staff gates, Immigration, workshops
• Police • Prisons • Courts • Any and all security applications		

## 12-language voice guide

Use the menu on the administration PC to select English, French, German, Italian, Spanish, Portuguese, Russian, Chinese, Korean, Arabic, Turkish, or Japanese. A single Administration PC allows use of any language by different BM-ET300 terminals.

### Select any of three audio modes

Audio Mode	Guide	Shutter Sound	Identification Result
Full	<input type="radio"/>	<input type="radio"/>	<input type="radio"/>
Simple	-	<input type="radio"/>	<input type="radio"/>
Mute	-	-	-

## For systems large and small

Flexible registration software supports incremental users. User License Management Softwares; BM-EU30000 Series comes in four key sizes: for 100 users, 1,000 users, 3,000 users, or max. 5,000 users. Contact Panasonic for systems that require more than 5,000 registrants.

### Easy operation and management from a PC

All settings, registrations, updates, and information confirmation can be controlled from a PC display.

### Display Examples



## Designed for High Security

### Encrypted registration data

Encrypting of Iris code/image data prevents unauthorized access.

### Tamperproof construction

An alarm sounds if the camera is removed from the wall or the front cover is opened.

### Alarm notification

System operators can be automatically warned when alarms indicate that cameras have been replaced or damaged, etc.

The above all photographs are simulated and shown for the purpose of explanation, actual images may differ.

## PRODUCT CONFIGURATION

Iris Recognition Camera  
**BM-ET300**



Administration Software  
**BM-ES300**

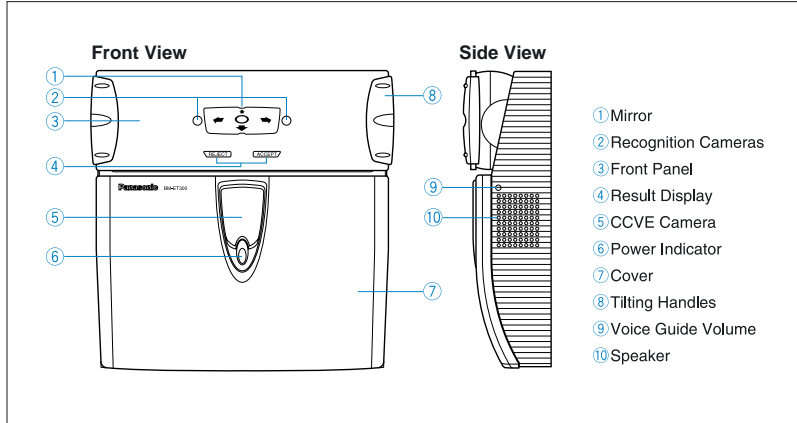
User License Management Softwares  
**BM-EU30100** (for 100 Users)  
**BM-EU31000** (for 1,000 Users)  
**BM-EU33000** (for 3,000 Users)  
**BM-EU35000** (for 5,000 Users)

## OPTIONAL COMPONENT

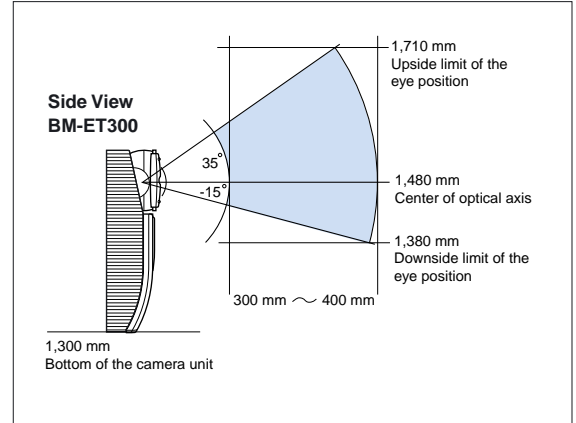
Iris Recognition Camera (for Registration only)  
**BM-DT120**



## MAJOR OPERATING CONTROLS



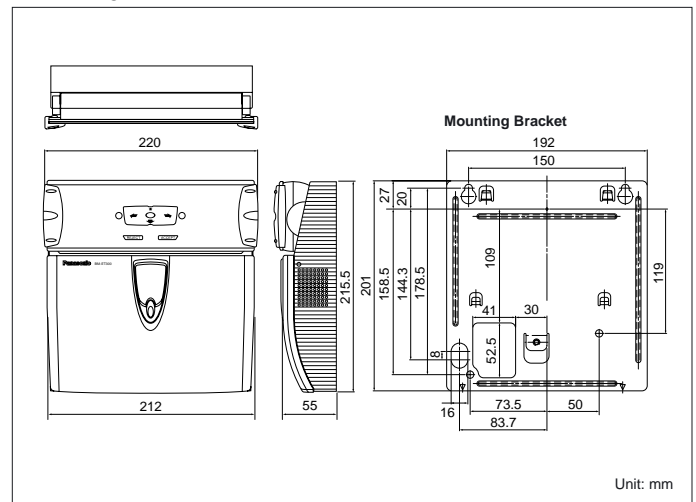
## CAPTURING RANGE (sample)



## SPECIFICATIONS

General	
Power Source	12 V DC or 24 V AC
Power Consumption	12 W
Iris Recognition Time	1.5 seconds (After image capturing)
Operating System Requirements (For BM-ES300 Administration Software)	Microsoft® Windows® 2000 Professional Service Pack 2 or later, Windows® 2000 Server Service Pack 2 or later, or Windows® XP Professional
Ambient Operating Temperature	0 °C ~ +40 °C
Ambient Operating Humidity	30 % ~ 80 %
Dimensions	212 mm (W) x 216 mm (H) x 55 mm (D)
Weight	2.4 kg (with the mounting bracket)
Input/Output	
Control Unit Interface (output)	Wiegand output x 1 [0/5 V, 24 mA (Max.)]
Card Reader Interface (input)	Wiegand input x 1 [0/5 V, 24 mA (Max.)]
Alarm Output	Recognition accept signal x 1 (open corrector) Recognition reject signal x 1 (open corrector) Power shut down signal x 1 (open corrector) Tamper detection signal x 1 (open corrector)
Ethernet Port Connector	x 1 (10Base-T/100Base-TX or TCP/IP)
Sub Camera Output	1 V [p-p] PAL composite 75 Ω/BNC connector
*The third-party external power-supply device should meet the following standards.	
Output Voltage	12 V DC ± 0.5 V 24 V AC ± 0.5 V
Output Current Capacity	0 A ~ 1.5 A (DC/AC)
Rated Ripple Voltage/Ripple Noise	150 mV [p-p] or less
Overcurrent Protection	Enabled (mandatory)

## APPEARANCE



- Authenticam, Private ID, and KnoWho are trademarks of Iridian Technologies, Inc., USA.
- Windows® 2000 Professional, or Windows® XP Professional are registered trademarks of Microsoft Corporation in the USA and / or other countries.
- All other trademarks are the property of their respective copyright holders.



• All TV pictures are simulated. • Weights and dimensions are approximate. • Specifications are subject to change without notice. • This product is subject to export control regulations.

## DISTRIBUTED BY:

**Panasonic System Solutions Company**  
**Matsushita Electric Industrial Co., Ltd.**  
 4-3-1, Tsunashima-higashi, Kohoku-ku, Yokohama,  
 223-8639, Japan  
 Tel 81(0)45-540-5769  
 Fax 81(0)45-540-5773  
 URL <http://panasonic.co.jp/pss/cctv/en/index.html>

**Panasonic**

Panasonic is the brandname of Matsushita Electric.  
 Printed in Japan BM-JKET300C(2N-707)